

TARTER®

FARM AND RANCH EQUIPMENT

**IMPROVING LIFE
ON YOUR LAND**

American-made quality farm and
ranch products since 1945.

COMPACT MANURE SPREADER: OPERATION AND ASSEMBLY MANUAL

(PART NUMBER: MS1002)



**For more information and questions, please contact:
Tarter Customer Service
1-800-RED-GATE (1-800-733-4283)**

(Tarter products are sold through Authorized Retailers.)

TARTERUSA.COM

INTRODUCTION

TO THE OWNER:

Read this manual before operating your equipment. Keep this manual handy for ready reference. Require all operators to read this manual carefully and become acquainted with all adjustments and operating procedures before attempting to operate the equipment. Replacement manuals can be obtained from your selling dealer.

The equipment you have purchased has been carefully engineered and manufactured to provide dependable and satisfactory use. Like all mechanical products, it will require cleaning and upkeep. Lubricate the unit as specified. Please observe all safety information in this manual and safety decals on the equipment.

Use only genuine service parts. Substitute parts will void the warranty and may not meet the required standards for safe and satisfactory operation.

Throughout this manual, the term **IMPORTANT** is used to indicate that failure to observe procedures can cause damage to equipment. The terms **CAUTION**, **WARNING** and **DANGER** are used in conjunction with the Safety-Alert Symbol, (a triangle with an exclamation mark), to indicate the degree of hazard for items of personal safety.



**This Safety-Alert Symbol indicates a hazard and means ATTENTION!
BECOME ALERT! YOUR SAFETY IS INVOLVED!**



DANGER

Indicates an imminently hazardous situation that, if not avoided, will result in death or serious injury.



WARNING

Indicates a potentially hazardous situation that, if not avoided, could result in death or serious injury, and includes hazards that are exposed when guards are removed.



CAUTION

Indicates a potentially hazardous situation that, if not avoided, may result in minor or moderate injury.

IMPORTANT

Indicates that failure to observe can cause damage to equipment.

NOTE

Indicates helpful information.

TABLE OF CONTENTS

Introduction	2-3
Safety	4-7
Description	8
Attaching	9
Detaching	9
Operation & Maintenance	10
Storage	10
Troubleshooting	10
Parts	11
Warranty	12

General Information

The purpose of this manual is to assist you in operating and maintaining your manure spreader for years of service. Read it carefully. The information and instructions in this manual have been compiled from extensive field experience and engineering data. Some information may be general in nature due to unknown and varying operating conditions. However, through experience and these instructions, you should be able to develop procedures suitable to your particular situation.

The illustrations and data used in this manual were current at the time of printing, but due to possible in-line production changes, your machine may vary slightly in detail. We reserve the right to redesign and change the machines as may be necessary without notification.

TRAINING

Safety is a primary concern in the design and manufacturing of our product. Unfortunately, our efforts to provide safe equipment can be wiped out by a single careless act of an operator or bystander.

In addition to the design and configuration of equipment, hazard control and accident prevention are dependent upon the awareness, concern, prudence and proper training of personnel involved in the operation, transport, maintenance and storage of this equipment.

It has been said, " The best safety device is an informed, careful operator." We ask you to be that kind of operator. It is the operator's responsibility to read and understand all safety and operating instructions in the manual and to follow them. Accidents can be avoided.

Working with unfamiliar equipment can lead to careless injuries. Read this manual, and the manual for your atv/ utv, before assembly or operating, to acquaint yourself with the machines. If this machine is used by any person other than you, or is loaned or rented, it is the Manure Spreader owner's responsibility to make certain that the owner's manual be available to the operator prior to operating and the operator:

- 1.) Reads and understands the operator's manuals.
- 2.) Is instructed in safe and proper use.

Know your controls and how to stop the atv, utv, engine, and Manure Spreader quickly in an emergency. Read this manual and the one provided with your loader.

Train all new personnel and review instructions frequently with existing workers. Be certain only a properly trained and physically able person will operate the machinery. A person who has not read and understood all operating and safety instructions is not qualified to operate the machine. An untrained operator exposes himself and bystanders to possible serious injury or death. If the elderly are assisting with farm work, their physical limitations need to be recognized and accommodated.

PREPARATION

Never operate the atv/utv and Manure Spreader until you have read and completely understand this manual, the atv or utv Operator's Manual, and each of the safety messages found on the safety signs on the utv/atv and Manure Spreader.

Personal protection equipment including hard hat, safety glasses, safety shoes, and gloves are recommended during assembly, installation, operation, adjustment, maintenance, repairing, removal, or moving the implement. Do not allow long hair, loose fitting clothing, or jewelry to be around equipment.

PROLONGED EXPOSURE TO LOUD NOISE MAY CAUSE PERMANENT HEARING LOSS! Atvs and utvs with or without attachments can often be noisy enough to cause permanent, partial hearing loss. We recommend that you wear hearing protection on a full time basis if the noise in the operator's position exceeds 80 db. Noise over 80 db on a long-term basis can cause severe hearing loss. Noise over 90 db adjacent to the operator over a long-term basis may cause permanent, total hearing loss.

NOTE: Hearing loss from loud noise (from loader, tractor, skid steer, chain saws, radios, and other such sources close to the ear) is cumulative over a lifetime without hope of natural recovery.

Operate only in daylight or good artificial light. Ensure the Manure Spreader is properly mounted, adjusted and in good operating condition.

Ensure that any and all safety shielding and safety signs are properly installed and in good condition.

OPERATION

The use of this equipment is subject to certain hazards that cannot be protected against by the mechanical means or product design. All operators of this equipment must read and understand this entire manual, paying particular attention to safety and operating instructions, prior to using. If there is something in this manual you do not understand, ask your supervisor, or your dealer, to explain it to you.

Most accidents occur because of neglect or carelessness. Only properly trained people should operate this attachment.

The majority of the accidents involve crushing injuries. Do not allow bystanders between the atv/utv , Manure Spreader, or implements when connecting or detaching. Accidents are most likely to occur with machines that are loaned or rented to someone who has not read the owner's manual and is not familiar with a Manure Spreader.

(continued on next page)

(continued from previous page)

Do not allow riders on or in the Manure Spreader at anytime. There is no safe place for any riders.

Stay alert for uneven terrain, holes, rocks, and roots and other hidden hazards. Keep away from drop-offs and hazards that could cause roll over. Use extreme care and maintain minimum ground speed when transporting or operating on hillsides, over rough ground and when operating close to ditches or fences. Be careful and slow down when turning sharp corners and changing direction on slopes. Do not start or stop suddenly on slopes. Avoid operation on steep slopes. In extremely uneven terrain, rear wheels weights, front tractor weight, and/or tire ballast should be used to improve stability.

Always cut down slopes, never across the face. Always check atv/utv manual for proper use on slopes.

TRANSPORTATION

Comply with state and local laws governing highway safety and movement of farm machinery on public roads.

The use of flashing amber lights is acceptable in most localities. However, some localities prohibit their use. Local laws should be checked for all lighting and marking requirements.

Always install transport locks, pins or brackets before transporting.

Do not drink and drive.

Be a safe and courteous driver. Always yield to oncoming traffic in all situations, including narrow bridges, intersections, etc. Watch for traffic when operating near or crossing roadways.

Turn curves or go up or down hills only at a low speed and at a gradual steering angle. Slow down on rough or uneven surface. Always check atv/utv manual for proper use on slopes. Use extreme care and maintain minimum ground and when operating close to ditches or fences. Be careful when turning sharp corners. Never allow riders on or in the Manure Spreader.

MAINTENANCE

Good maintenance is your responsibility. Poor maintenance is an invitation to trouble. Follow good shop practices. Keep service area clean and dry. Be sure electrical outlets

and tools are properly grounded. Use adequate light for the job at hand. Make sure there is plenty of ventilation. Never operate the engine of the towing vehicle in a closed building. The exhaust fumes may cause asphyxiation.

Before working on this machine, shut off the engine, set the brakes, and remove the ignition keys. Be certain all moving parts on attachments have come to a complete stop before attempting to perform maintenance. Never work under equipment unless it is blocked securely.

Always use personal protection devices such as eye, hand and hearing protectors, when performing any service or maintenance. Frequently check the Manure Spreader. It should be free of nicks, cracks, and securely fastened.

Periodically tighten all bolts, nuts, and screws to ensure unit is in safe condition.

After servicing, be sure all tools, parts and service equipment are removed from Manure Spreader.

Do not allow debris, grease or oil to build up on the Manure Spreader.

When replacement parts are necessary for periodic maintenance and servicing, genuine factory replacement parts must be used to restore your equipment to original specifications.

The manufacturer will not be responsible for injuries or damages caused by use of unapproved parts and/or accessories.

A first aid kit should be kept readily accessible while performing maintenance on this equipment.

(continued on next page)

STORAGE

Following operation, or when unhooking the Manure Spreader, stop the atv or utv, set the brakes, shut off the engine and remove the ignition keys.

Simply spray the Manure Spreader clean with a water hose before storing to keep hopper and spreading drum from clogging.

Store the unit upright to allow any water to drain.



Make sure all parked machines are on a hard, level surface and engage all safety devices.

EQUIPMENT SAFETY GUIDELINES

Safety of the operator and bystanders is one of the main concerns in designing and developing a Manure Spreader. However, every year accidents occur which could have been avoided by a few seconds of thought and a more careful approach to handling equipment. You, the operator, can avoid many accidents by observing the following precautions and insist those working with you, or for you, follow them.

Replace any safety sign that is not readable or missing. Location of such safety signs are indicated in this manual. Never use alcoholic beverages or drugs that can hinder alertness or coordination while operating this equipment. Consult your doctor about operating this machine while taking prescription medications.

Under no circumstances should children under the age of 18 be allowed to work with this equipment. Do not allow persons to operate or assemble this unit until they have read this manual and have developed a thorough understanding of the safety precautions and how it works. Review the safety instructions with all users annually. This equipment is dangerous to children and persons unfamiliar with its operation. The operator should be a responsible, properly trained and physically able person familiar with farm machinery and trained in this equipment's operations. If the elderly are assisting with farm work, their physical limitations need to be recognized and accommodated.

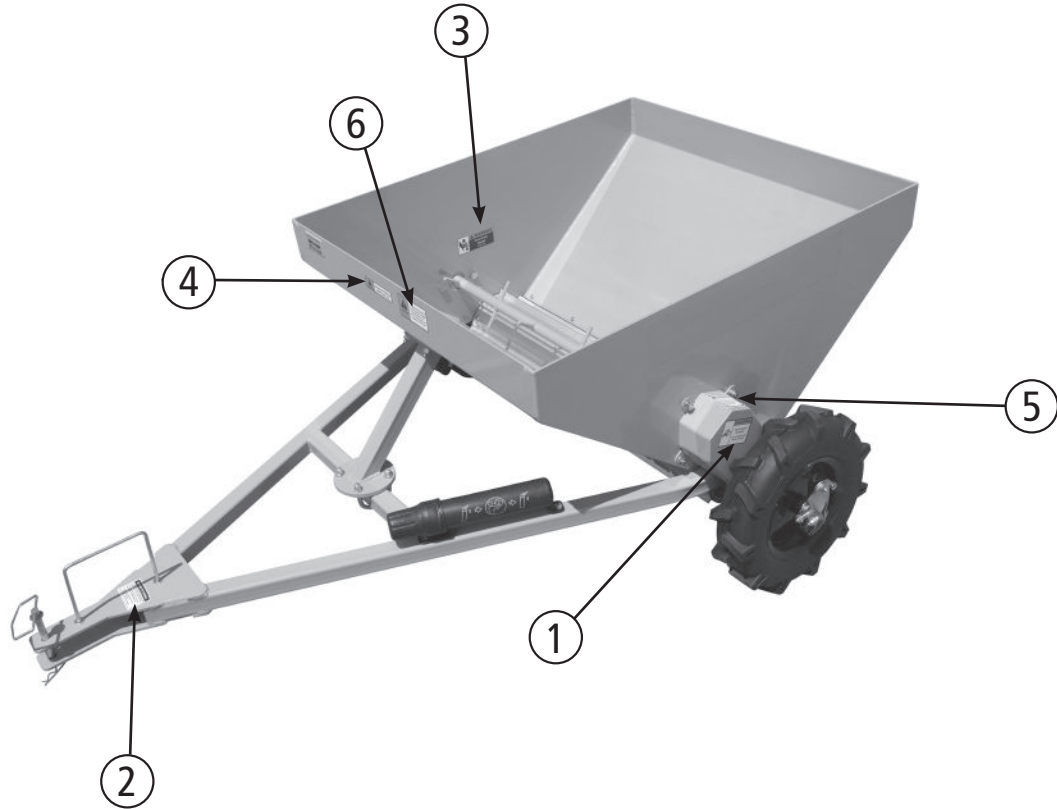
Never exceed the limits of a piece of machinery. If its ability to do a job, or to do so safely, is in question – DON'T TRY IT. Do not modify the equipment in any way. Unauthorized modification could result in serious injury or death and may impair the function and life of the equipment.

In addition to the design and the confirmation of this implement, including safety signs and safety equipment, hazard control and accident prevention are dependent upon the awareness, concern, prudence, and proper training of personnel involved in the operation, transport, maintenance, and storage of the machine. Refer also to safety messages and operation instruction in each of the appropriate sections of the atv/utv and Manure Spreader manuals. Pay close attention to the safety signs affixed to the atv/utv and the Manure Spreader



ATTENTION! BECOME ALERT! YOUR SAFETY IS INVOLVED!

Replace Decals Immediately if Damaged!



① CRUSH POINT



② MANUAL NOTICE



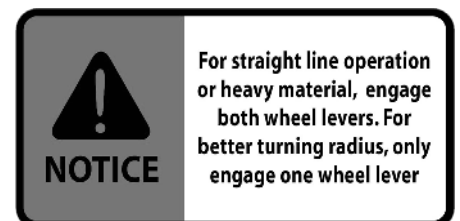
③ PINCH POINT
(decals located inside hopper)



④ GREASE WARNING



⑤ GREASE CAUTION

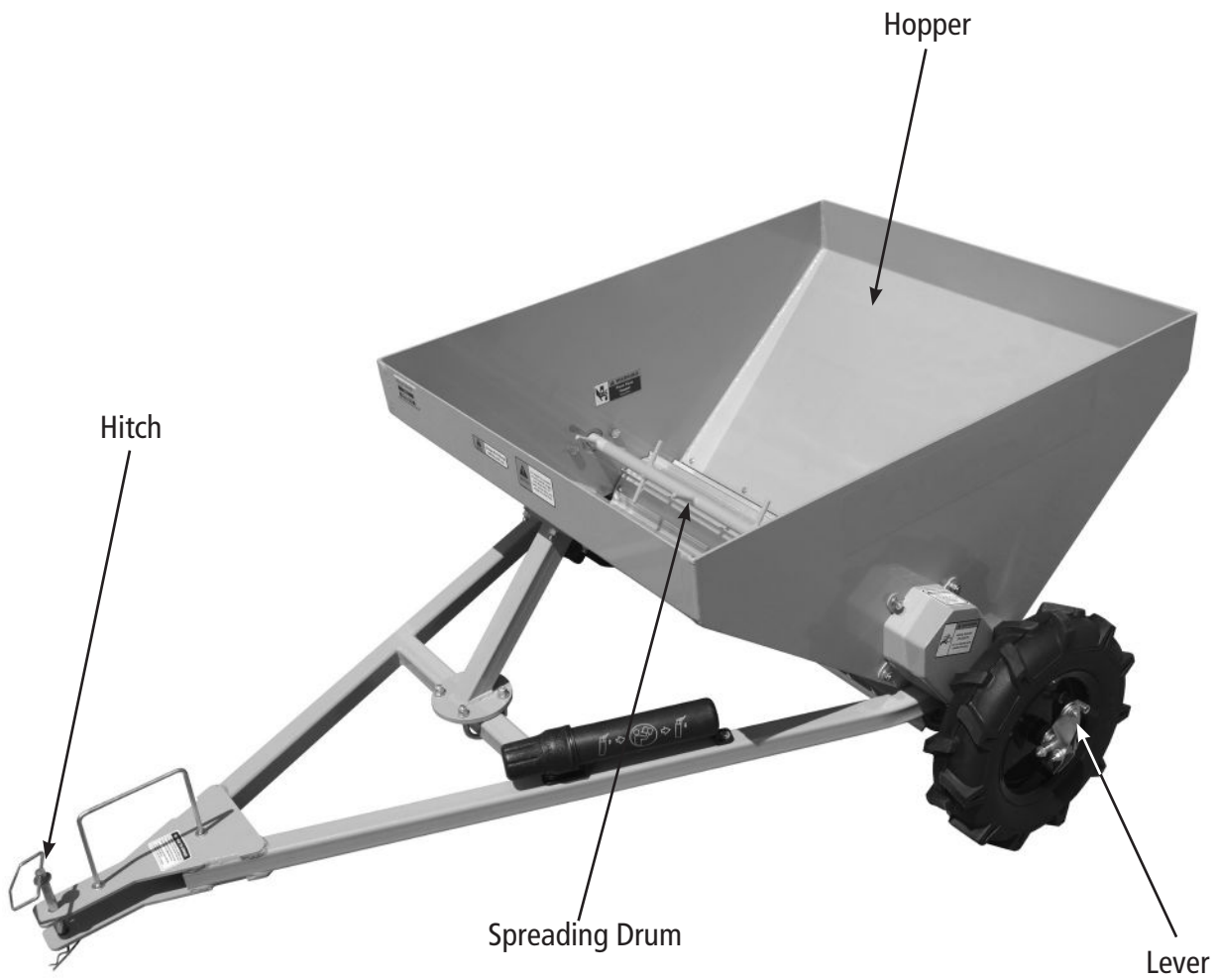


⑥ ENGAGE WHEEL

DESCRIPTION

Your Manure Spreader has been carefully designed for spreading manure. This manual is provided to give you the necessary operation and maintenance instructions for keeping your manure spreader in excellent operating condition. Please read this manual thoroughly. Understand the purpose of the controls and how to use them. Observe all safety precautions on the machine and as noted throughout this manual.

Major components



ATTACHING

1. First make sure you're on a level surface. Back atv/utv up to the tongue of the spreader. Align holes on the hitch and tongue of spreader.



2. Once holes are aligned, drop in the hitch pin.



3. After the hitch pin has been successfully placed through the hitch and tongue, then install cotter pin.



OPERATION

1. To begin operating the manure spreader, fill spreader with manure.



4. Flip lever to engage spreading drum.

Lever not engaged



Lever engaged



NOTE: If you will be making a large number of turns while spreading, engage only one wheel. Engage the wheel opposite of the way you will be turning. For example, if you're turning right, engage the left wheel. For straight line spreading or heavy loads, engage both wheels. Optimal speed for best results is between 10-16 mph.

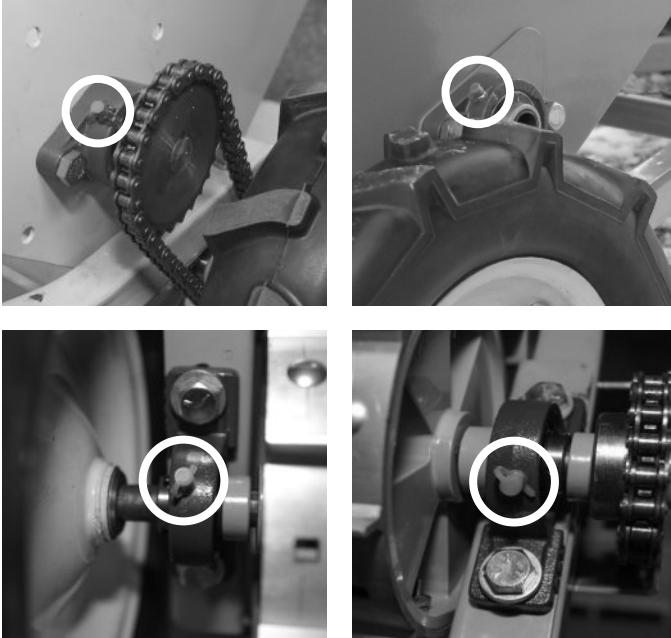
DETACHING

1. Unengage lever on wheels so the spreading drum doesn't turn.
2. Remove cotter pin, and then remove hitch pin. Manure Spreader is detached from atv/utv and ready to be cleaned.

(continued from previous page)

MAINTENANCE

1. Before every use, grease all four grease fittings.



Two fittings located underneath the spreader, and two on each side of the agitator outside of the hopper.

2. After every use spray out hopper and spreading drum. This will keep debris and manure from clogging spreading drum and damaging the spreader
3. Check rubber guard after every use, replace as needed.

STORAGE

1. Before placing spreader in storage, make sure the spreading drum and hopper have been cleaned of any debris or manure.



2. The spreader can be stored standing up against a wall.



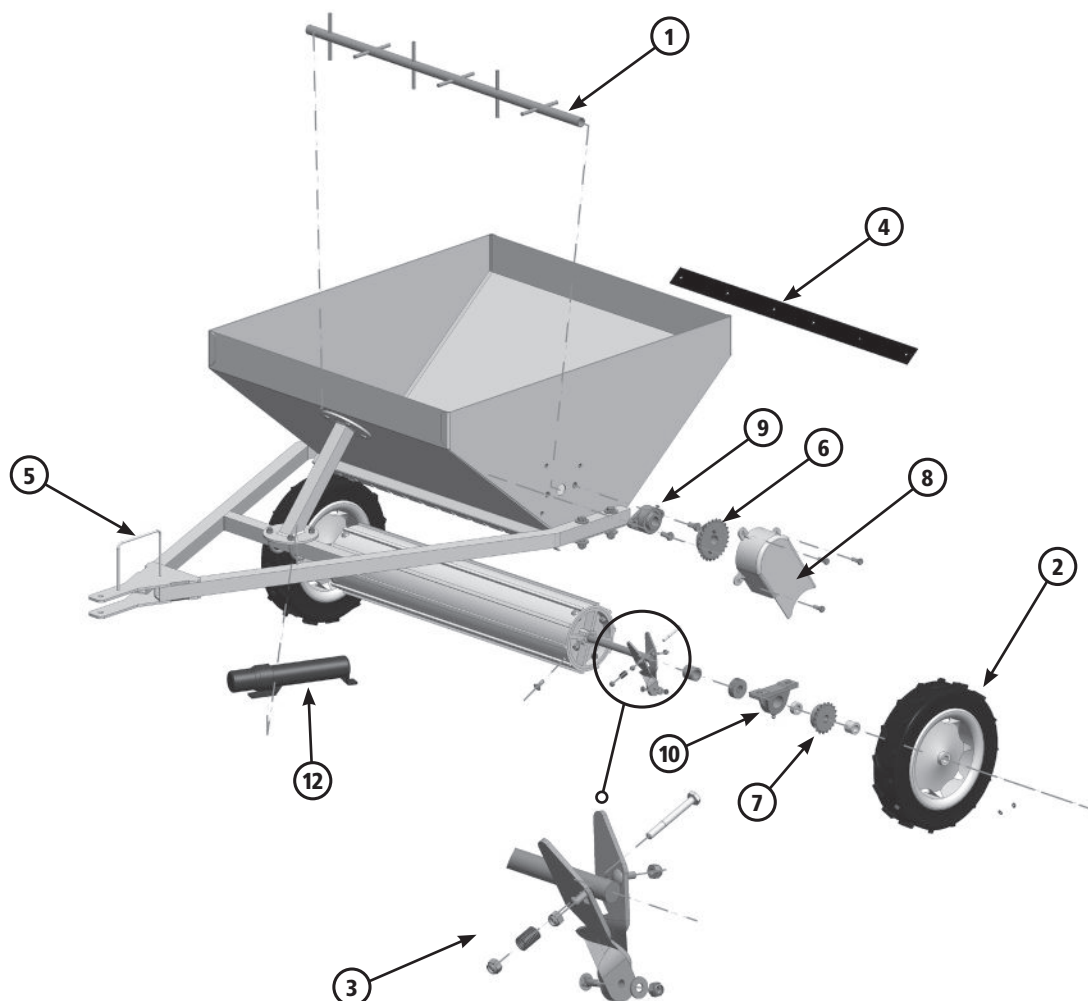
3. It can also be stored by leaning it back on hopper.

TROUBLESHOOTING

If the Manure Spreader is not functioning properly check the following.

1. Optimal speed is being met.
2. The levers on one or both wheels have been engaged.
3. There is no large debris lodged in the drum.

Parts Overall View MS



Item Number	Part Number	Description
1	2000116	Agitator Bar
2	2000117	Tire/Wheel Combo
3	9000021	Axle Locking Mechanism w/ Hardware
4	2000118	Rubber Seal Strip
5	9000022	Handle w/ Hardware
6	2000119	Large Agitator Sprocket
7	2000120	Small Axle Sprocket
8	2000121	Chain Guard
9	2000122	Agitator Block Bearing
10	2000123	Axle Pillow Block Bearing
11	4000008	Decal Sheet (Not Pictured)
12	9000023	Small Manual Holder w/ Hardware

* For complete Safety Decals listing and locations refer to pages 7.

Because we are always striving to improve our products, this diagram could differ slightly from actual equipment. Specifications are subject to change without notice.

MANUFACTURER'S LIMITED WARRANTY

Manufacturer warrants to the original purchaser that the purchased product is free from defects in material and workmanship for a period of one (1) year commencing on the date of original purchase, as evidenced by the original receipt, and will, at its option, repair, replace, or issue credit for any product or part found to be defective.

This limited warranty shall only apply if this product has been operated and maintained in accordance with the Operator's Manual furnished with the product, and has not been subject to misuse, abuse, commercial or industrial use, neglect, improper maintenance, alteration or accident, or which has been used for a purpose for which the product was not designed. Damage resulting from the installation or use of any part, accessory, or attachment not approved by manufacturer, for use with the product covered by the owner's manual, shall void the warranty as to any resulting damage.

This limited warranty is extended solely to the original purchaser of the product. Should the original purchaser sell or otherwise transfer this product to a third party, this warranty does not transfer to the third party in any manner.

HOW TO MAKE A CLAIM:

To obtain warranty service through a local authorized dealer a customer must present the following within thirty (30) days of product failure:

1. Proof of purchase within one (1) year of purchase date.
2. Photographs of or return of the actual product in question.

After receipt of the above information, if the product is alleged to be defective, manufacturer will process the claim and issue a Return Manufacturers Authorization number (RMA). Once a RMA number is issued, manufacturer will pick up the product from the authorized dealer and return to its facility for inspection. Manufacturer will replace, repair, or issue credit for any product, upon examination by manufacturer at manufacturer's facility, determined to be defective due to defects in material and workmanship.

WARRANTY DISCLAIMER:

This limited warranty is in lieu of, and manufacturer disclaims and excludes any express and implied warranties with respect to the product including, without limitation, merchantability and fitness for a particular purpose. No other express warranty, whether written or oral, given by any person or entity, including a dealer or retailer, with respect to any product, shall bind manufacturer.

Manufacturer's exclusive liability for breach of the limited warranty, as set forth above, on the product shall be to repair or replace the product within the warranty period in accordance with the terms of this limited warranty. The choice of remedy shall belong solely to manufacturer. In no event shall manufacturer be liable for any loss or damages of any other kind, whether direct, incidental, consequential including lost profits, exemplary, special or otherwise, including without limitation, expenses incurred for substitute or replacement product or for rental expenses to temporarily replace a warranted product. Under no circumstance shall recovery, of any kind, be greater than the amount of the purchase price of the product purchased. Customer assumes all risk and liability for loss, damage, or injury to customer or customer's property and/or the property of others arising out of the misuse or inability to use the product.

LEGAL RIGHTS:

This limited warranty gives you specific legal rights, and you may also have other rights which may vary from state to state. Some states do not allow any limitation on how long an implied warranty lasts or the exclusion or limitation of incidental or consequential damages, so the above limitations may not apply to you.

KEEP FOR YOUR RECORDS

Record the model number, serial number, and the date of purchase with original sales receipt. This information will be helpful to your dealer if parts or service are required.

MODEL NUMBER _____

SERIAL NUMBER _____

DATE OF PURCHASE _____

DEALER _____

